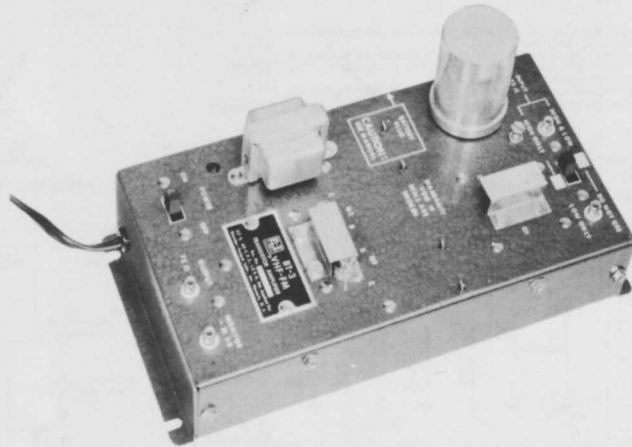


BLONDER-TONGUE LABORATORIES, INC.

9 Alling St., Newark 2, N. J., MArket 2-8151

model
BT-3

ALL-TRANSISTOR BROADBAND TV/FM AMPLIFIER MODEL BT-3



New transistorized circuitry makes possible high output capabilities with low cross modulation, and an extremely low noise figure in this transistorized TV amplifier. For large master antenna or small home TV systems, the BT-3 is equally effective in its broadband VHF-TV amplifier function. The unit is ideal for fringe signal area installations by virtue of its low-noise performance, even with weak signal strengths. Built-in mixing circuitry enables separate high and low band antennas, or a single broadband antenna, to be used. The BT-3 will provide excellent color TV reception, as well as black-and-white TV and sparkling high fidelity FM reception.

No adjustments are required to put the BT-3 into

use. It is mounted, cables are installed in a few minutes, and once finished, will function efficiently and flawlessly without further attention. Being completely transistorized, no tubes can burn out.

For a new high in reliability, the BT-3 is unsurpassed. The BT-3 draws only 2% of the AC power required to operate a vacuum tube amplifier of equivalent gain. It is designed for continuous use and can be left on indefinitely. And where AC power lines aren't readily accessible, a built-in connector permits efficient battery operation. (This feature is particularly useful during field tests, or when standby battery operation is necessary in the event of power failure.)

The flexibility of the BT-3 permits its use in a wide variety of installations. It can be used as a permanent preamplifier in larger systems, or as an amplifier in systems with a limited number of sets. (For best results, call upon the Blonder-Tongue sales engineering dept. or a qualified service-technician.)

Gain (Minimum): Channel 2	18 db
Channel 6	15 db
Channels 7-13	19 db
FM—88mc	15 db
FM—108mc	9 db

Noise Figure: Channels 2-65 db
Channels 7-137 db

Maximum Output: 0.7 volt for 1% cross modulation
(Total of both bands)
1.25 volts for 3% cross modulation
(Total of both bands)

Maximum Input: 50,000 microvolts maximum total in
high band (7-13).
100,000 microvolts maximum total of
both bands.
For 1% cross modulation.

Impedance: Input	75 ohms
Output	75 ohms

Inputs: Separate High and Low Band inputs or
All-channel input.

Outputs: All-Channel output, plus Monitor
(-20db) output.

Controls: On-off switch
Input selector switch

Power: AC.....117 volts, 60cps, 0.011 amps, 1.3 volt amps.
Battery.....22 volts, approx, 11 ma. DC

Temperature Range: Storage

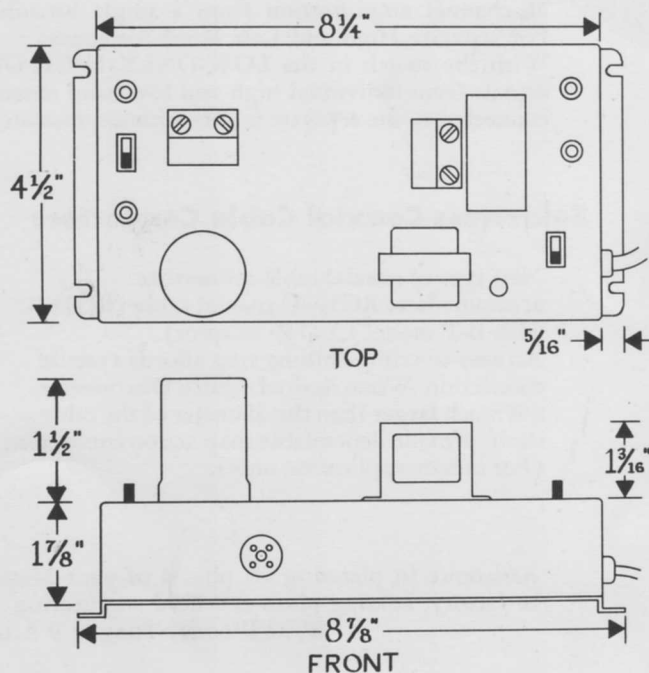
Operating

Transistors: 3 P-N-P Germanium High Frequency types
Q1—Highband preamplifier
Q2, Q3—High and low band push-pull
output amplifier

Finish: Heavy duty gray Polytone enamel on steel

Dimensions: 9" x 4" x 4½" (W.H.D.)

Shipping Weight: 2¾ lbs.



BLONDER-TONGUE LABORATORIES ALL-TRANSISTOR BROADBAND TV/FM AMPLIFIER

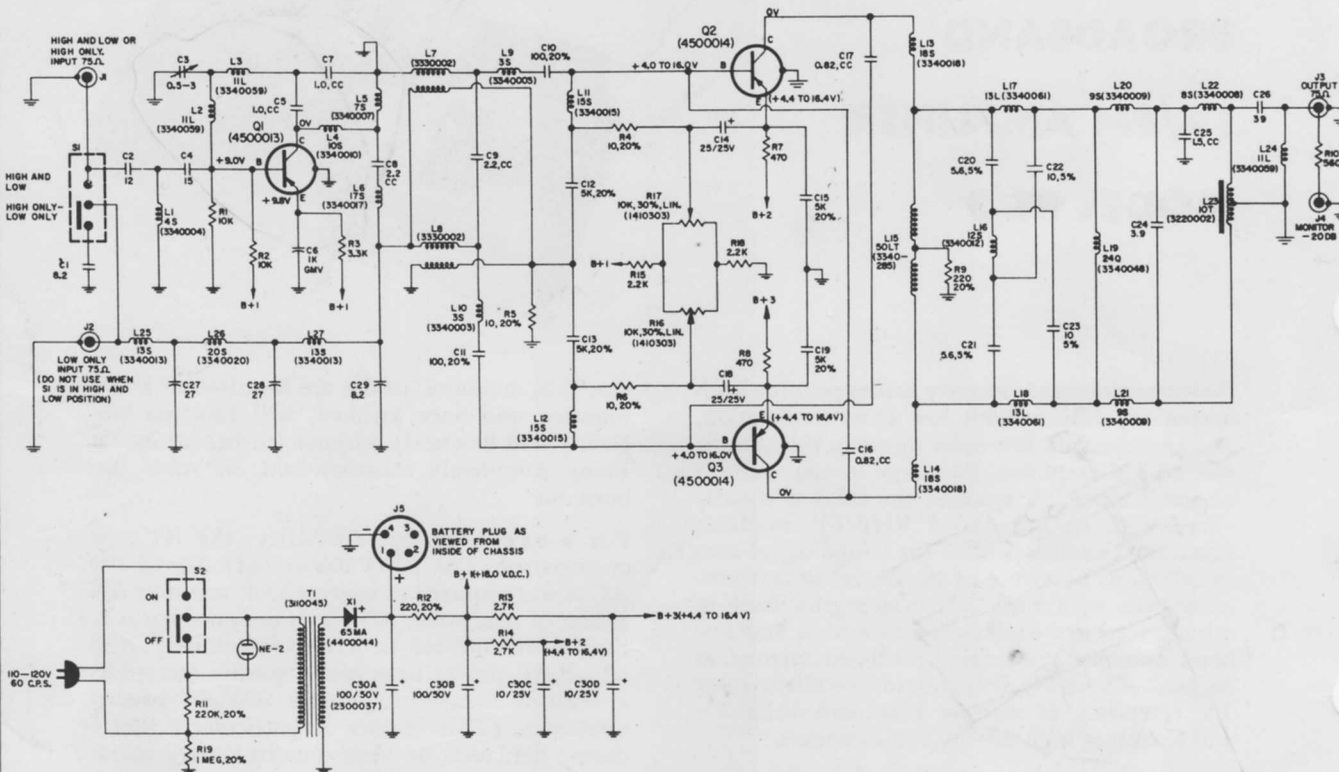
BLONDER-TONGUE LABORATORIES, INC.

9 Alling St., Newark 2, N. J., Market 2-8151

BLONDER-TONGUE LABORATORIES ALL-TRANSISTOR BROADBAND TV/FM AMPLIFIER

NOTES:

1. ALL RESISTORS ARE 1/2 WATT, COMPOSITION, VALUES IN OHMS $\pm 10\%$, UNLESS OTHERWISE SPECIFIED, K=1000.
2. ALL CAPACITORS ARE CERAMIC DISC, VALUES IN MMF $\pm 10\%$, UNLESS OTHERWISE SPECIFIED, K=1000, +ELECTROLYTIC, CC=CERAMIC COMPOSITION, GMV= GUARANTEED MINIMUM VALUE.
3. SEVEN DIGIT NUMBERS IN PARENTHESIS ARE B-T PART NUMBERS.
4. ALL DC. VOLTAGES ARE MEASURED WITH A 20,000 Ω /VOLT METER TO CHASSIS.



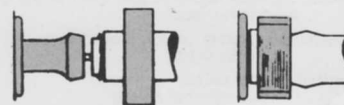
SPECIAL FEATURES

Built-In High Band (Channels 7-13) Low Band Mixer (Channels 2-6)

The BT-3 is equipped with a two-position switch. When the switch is in the **HIGH-and-LOW** position, the unit provides all-channel amplification from a single broadband antenna. For separate High and Low Band Antennas: With the switch in the **LOW-ONLY/HIGH-ONLY** position, signals from individual high and low band antennas can be connected to the separate inputs without mismatch or loss of signals.

Solderless Coaxial Cable Connectors

New type of coaxial cable connectors accommodates RG59/U coaxial cable (RG11/U with B-T model CL1159 adaptor). An easy-to-crimp holding ring affords a secure connection. When desired, Quick Disconnects, not much larger than the diameter of the cable itself, provide dependable snap action connection. (For indoor application only).



SOLDERLESS CABLE CONNECTORS



QUICK DISCONNECT

Assistance in planning all phases of your Master Antenna System is available free of charge from the factory. Leasing plans and field engineering are available through Blonder-Tongue Systems, Inc. Write Blonder-Tongue, 9 Alling Street, Newark 2, New Jersey.