



"... ADDS ALL THE
NEW UHF CHANNELS
TO ANY TV SET."

ULTRA POWERFUL — ULTRA DEPENDABLE



Ultraverter



BTU-2

THE FINEST ALL CHANNEL UHF CONVERTER

- FASTER, MORE ACCURATE DUAL-SPEED TUNING.
- BEST IMPEDANCE MATCH FOR MAXIMUM SIGNAL TRANSFER.
- AUTOMATIC "ON-OFF" WITH TV SET.
- MAXIMUM OVERALL GAIN AND LOWEST NOISE FACTOR.
- NEW 3-SECTION "ULTRATUNER."
- RUGGED CONSTRUCTION.
- RUBBER FEET PROTECT TV SET.

INSTALLATION INSTRUCTIONS

1. CONNECT 300 OHM VHF AND UHF ANTENNA LINES AT ULTRAVERTER INPUT TERMINALS.
2. CONNECT 300 OHM LINE FROM ULTRAVERTER OUTPUT TERMINALS TO TV SET ANTENNA TERMINALS.
3. PLUG TV SET POWER CORD INTO ULTRAVERTER RECEPTACLE AND PLUG ULTRAVERTER CORD INTO 110-120 V., AC OUTLET.
4. TUNE-IN EITHER CHANNEL 5 OR 6 ON TV SET. TURN ULTRAVERTER SWITCH TO UHF AND SELECT UHF STATION WITH CONTINUOUS TUNING KNOB.
5. FOR VHF, SET ULTRAVERTER SWITCH AT VHF AND OPERATE TV SET IN USUAL MANNER.

SPECIFICATIONS

MODEL: BTU-2

SIZE: 6 $\frac{1}{4}$ x 4 $\frac{1}{4}$ x 4 $\frac{1}{4}$ "

SHIPPING WT.: 5 LBS.

POWER: 110-120 V., 60 CYCLE AC 15 W.

TUBES: 6AF4/6T4, 6AB4. LOW NOISE, CRYSTAL MIXER. SELENIUM RECTIFIER.

GUARANTEE: STANDARD (RETMA) WARRANTY.

THE INSIDE STORY OF THE B-T ULTRAVERTER

THE B-T "ULTRATUNER" WITH ITS DOUBLE-TUNED PRESELECTOR OFFERS GREATEST SENSITIVITY AND MOST UNIFORM PERFORMANCE. EXTRA HIGH SIGNAL-TO-NOISE RATIO GUARANTEES CLEAR, STEADY PICTURES, EVEN IN WEAK SIGNAL LOCATIONS.



TUNING IS THE FASTEST AND MOST ACCURATE WITH THE EXCLUSIVE DUAL-SPEED TUNING KNOBS.

PATENTS PENDING

ONLY
\$39.95

LIST PRICE



BLONDER-TONGUE LABORATORIES, INC.

Manufacturers of

Television Amplifiers, UHF Converters, Mixers, Distribution Units and TV Accessories.

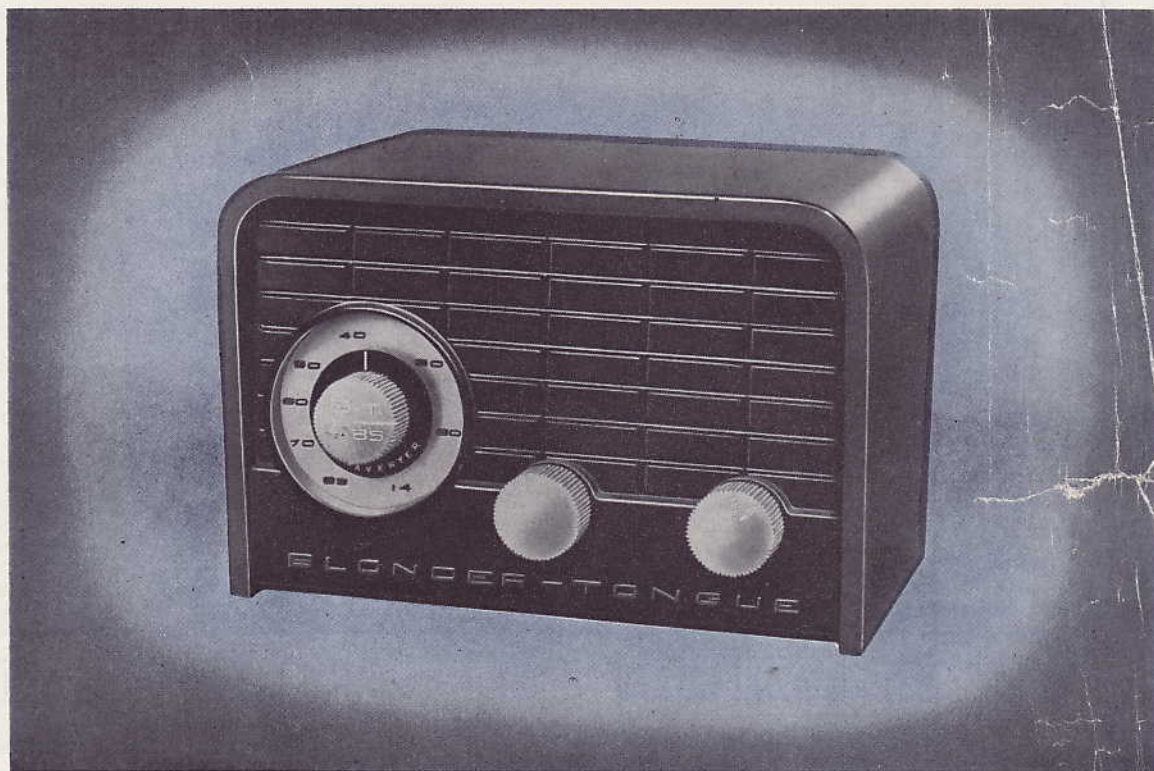
WESTFIELD, NEW JERSEY



THE UHF CONVERTER

Styled for Beauty and

ENGINEERED FOR POWER



Ultraverter

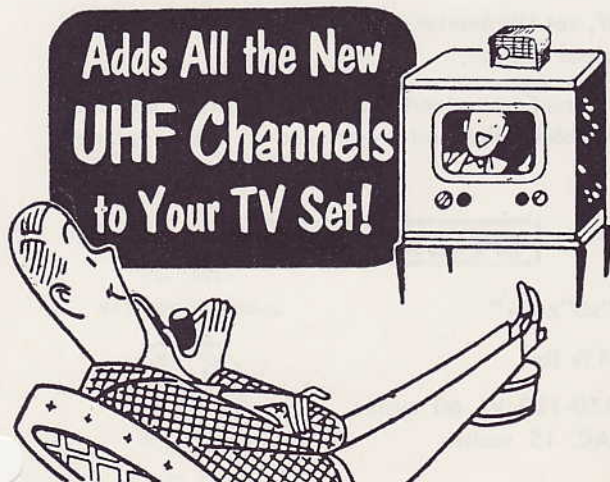
ALL CHANNEL UHF CONVERTER

MODEL BTU-2

Don't be surprised at the sparkling picture quality and rich sound fidelity on all available UHF channels. Tens of thousands of TV technicians and TV set owners are already enjoying the outstanding performance of the Ultraverter. The B-T UHF converter has a background of precision engineering and step by step production tests to guarantee such lifelike reproduction and unequalled stability. And only the Ultraverter offers you all these deluxe features.

- ★ The Ultratuner—most sensitive and most compact tuner in the field; double-tuned, interference free UHF input AND fully shielded, no-drift oscillator section.
- ★ Smoothest, fastest and most accurate tuning—dual speed channel selection.
- ★ Exact 300 ohm impedance match at both UHF input and VHF output plus unbeatable triode amplification—maximum usable signal power with no picture or sound distortion.
- ★ Completely automatic "on-off" operation with TV set.
- ★ Handsome plastic cabinet styling to blend perfectly with any TV set.

ONLY **\$39⁹⁵** LIST

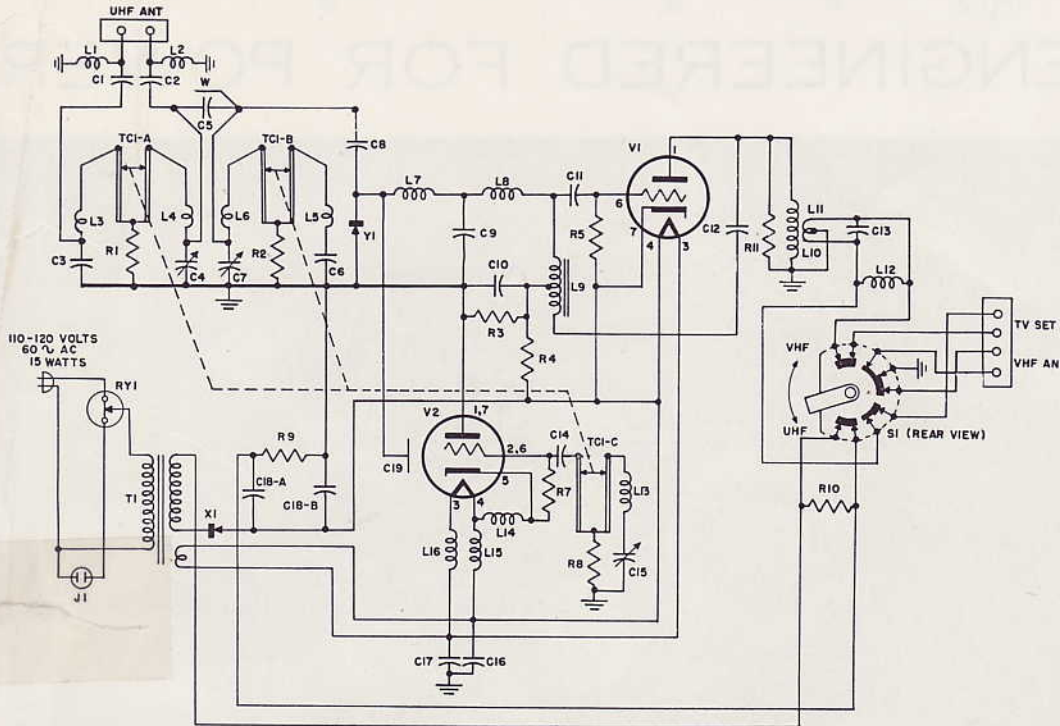


BLONDER-TONGUE LABORATORIES, INC. NEWARK 2, N. J.

INDUSTRIAL TV • MASTER TV SYSTEMS • UHF CONVERTERS

PARTS LIST

PART NO.	CIRCUIT SYMBOL	DESCRIPTION
1122051	R1,R222 ohms, 1/2 W., 20%
1127141	R3270 ohms, 1/2 W., 10%
1110441	R4100K ohms, 1/2 W., 10%
1133451	R5330K ohms, 1/2 W., 20%
1115351	R715K ohms, 1/2 W., 20%
1110051	R810 ohms, 1/2 W., 20%
1112242	R91,200 ohms, 1W., 10%
1133351	R1033K ohms, 1/2 W., 20%
1147251	R114.7K ohms, 1/2 W., 20%
2182801	C1,C20.82 mmf, 500V., 10%
2122904	C32.2 mmf, ±0.25 mmf, P100
2430901	C4,C70.5-3 mmf
2122801	C50.22 mmf, 10%
2133907	C63.3 mmf, ±0.25 mmf, N150
2112902	C81.2 mmf, 10%
2133901	C93.3 mmf, 10%
2133103	C10,C11330 mmf, gmV
2115901	C121.5 mmf, 500V., 10%
2133004	C1333 mmf, 10%, N470
2160901	C146 mmf, ±0.5 mmf, N220
2450901	C151-5 mmf, N220
2150001	C16,C1750 mmf, 500V., 20%
2300005	C1830/30 mfd, 150V., VDC
.....	C19Whisker, Fact. Adj.
3110005	T1Transformer
.....	L1 through L16Factory adjusted
4100001	V16AB4 IF Amplifier
4100027	V26AF4A Oscillator
4400002	Y14JB2C-5 Diode
5310009	S1Rotary Switch
5320002	RY-1Thermal Relay, TR-4
4400008	X1Selenium, 20 ma., 130V., A.C.



NOTE: SYMBOL "W" DENOTES TUNING "WISKER"

WARRANTY

The model BTU-2 is fully guaranteed to be free from defects in workmanship and components for 90 days from the date of purchase. The accompanying warranty card should be filled out completely and promptly returned to the factory.

If the converter should require adjustment or parts replacement during the warranty period, return it **prepaid** to Blonder-Tongue Laboratories, 9-25 Alling Street, Newark 2, New Jersey for prompt service. A packing slip with complete name and address, serial number and nature of difficulty should be enclosed.

SOLD BY

INSTALLATION INSTRUCTIONS

1. Connect 300 ohm VHF and UHF antenna lines at Ultraverter input terminals.
2. Connect 300 ohm line from Ultraverter output terminals to TV set antenna terminals.
3. Plug TV set power cord into Ultraverter receptacle and plug Ultraverter cord into 110-120 V., AC outlet.
4. Tune in either Channel 5 or 6 on TV set. Turn Ultraverter switch to UHF and select UHF station with continuous tuning knob.
5. For VHF, set Ultraverter switch at VHF and operate TV set in usual manner.
6. Before mounting converter on TV set, attach enclosed adhesive cork strips under each end of plastic cabinet.

SPECIFICATIONS

SIZE: 6 3/4" x 5" x 4 3/4"

WEIGHT: 4 1/2 lbs.

POWER: 110-120 V., 60 cycles, AC, 15 watts.

APPROVED

UNDERWRITERS LAB.



PATENTS PENDING