

BLONDER-TONGUE LABORATORIES, INC.

9 Alling St., Newark 2, N. J., MArket 2-8151

model
MLA-b**VHF
BROADBAND
AMPLIFIER
model MLA-b**

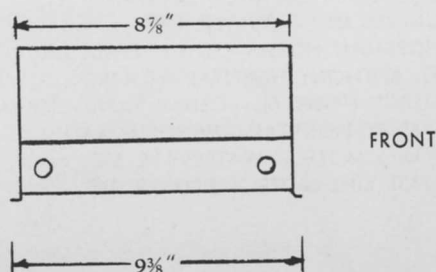
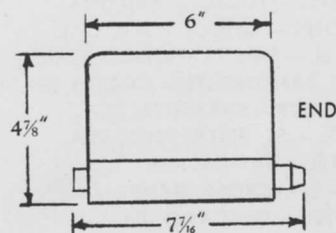
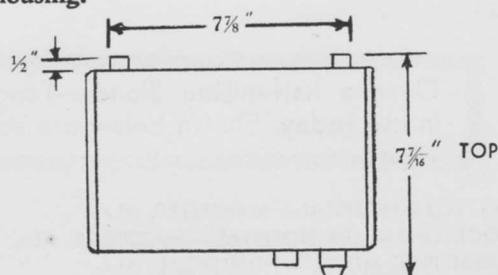
This improved B-T broadband amplifier features higher gain, higher output, lower noise figure, more exact channel equalization, longer life, and greater reliability than other amplifiers comparably priced. It's designed right and it's priced right for all TV distribution systems. At the head-end or in the line, it delivers uniform, high level gain for black-and-white and color receivers in every multiple installation: hotels, motels, apartments, government housing projects, hospitals, schools, entire communities.

MLA-b's in series as line amplifiers may be spaced up to 1400' using the built-in tilt controls. With external Blonder-Tongue ME-1 all-band equalizers, or ME-2 low-band equalizers, the respective spacings are 1330' and 2000'. For technical assistance in planning all phases of a distribution system, contact your authorized B-T distributor or the Blonder-Tongue Sales Engineering Department.

Installing the MLA-b is quite easy. Solderless coax connectors, used with 75 ohm coax cable, are connected to the two female input and output receptacles on the MLA-b chassis. Power is supplied to the unit by plugging the 110-120 volt, 60 cycle AC cord into any outlet, and flipping the power switch on. Complete instructions for adjusting the gain controls and tilt controls accompany every unit.

When planning the installation of the MLA-b, outside dimensions (shown here) must be considered. The unit can be mounted in any attic crawl space or basement where a flat surface of at least 10" x 7" is available. Slotted base feet on the MLA-b accommodate four screws. The unit will mount easily into a Blonder-Tongue MRH-a radiation-proof housing.

Gain: 40db (100X) minimum
 Response: 54-88mc and 174-216mc:
 ± 1db. Any VHF channel: ± ½ db
 Maximum Output: 1.7 volts: ch. 2-6
 1.7 volts: ch. 7-13
 Maximum Input Range:
 .017 to .100 volts: ch. 2-6
 .017 to .100 volts: ch. 7-13
 Gain Control Range: 20db: ch. 2-6
 20db: ch. 7-13
 Tilt Control Range: 6db: ch. 2-6
 6db: ch. 7-13
 Impedance: 75 ohms IN and OUT
 Tubes: Low Band: 6DJ8, 6CB6,
 12BY7A
 High Band: 6DJ8, (2) 6CB6,
 12BY7A
 Power: 110-120 volts, 60cps, 50va;
 1 amp, 3AG Fuse
 Cabinet: Gray polytone steel
 Mounting: Slotted base, #6 or #8
 screws
 Dimensions: 9" x 6" x 5" (W, D, H)
 Shipping Weight: 9 lbs.



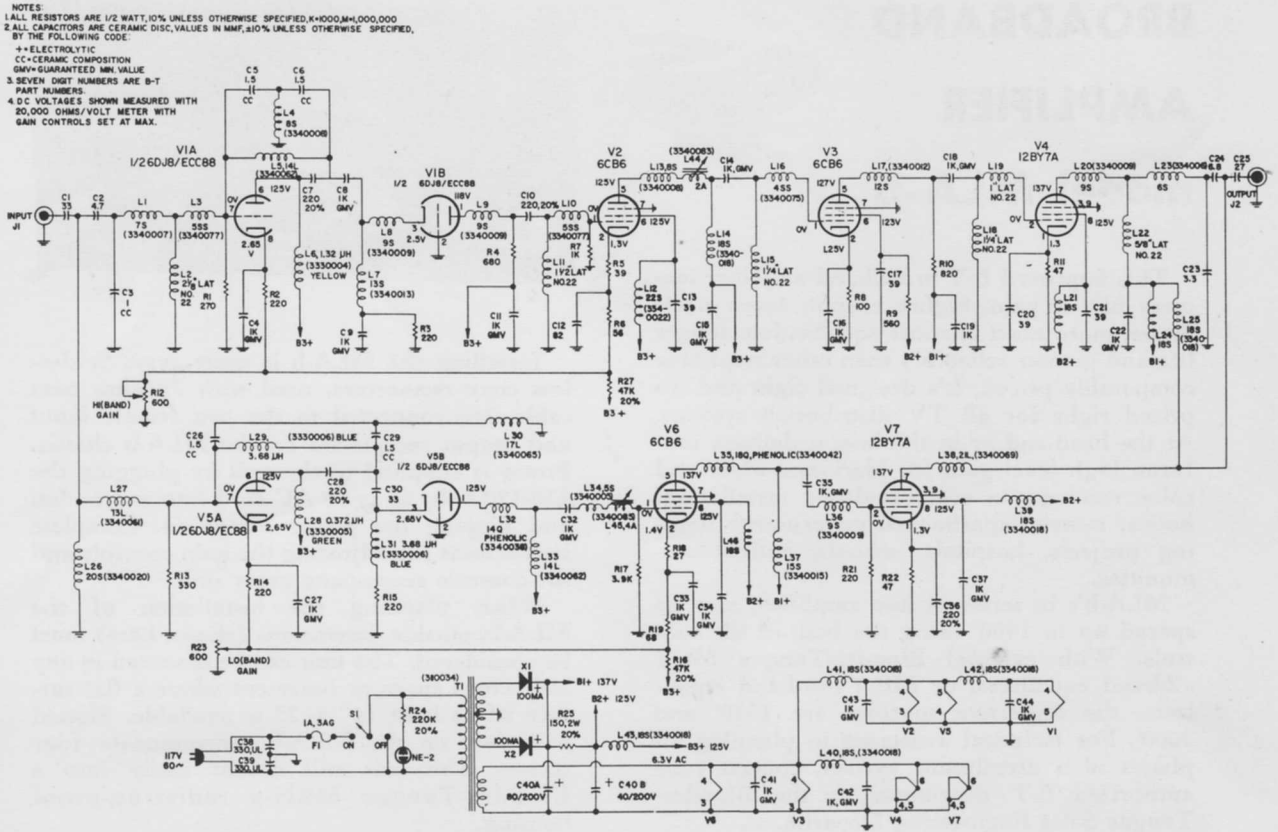
In all instances, adequate space should be provided for maximum ventilation. Be certain to allow air to circulate freely around the unit.

BLONDER-TONGUE LABORATORIES 'MASTERLINE' VHF BROADBAND AMPLIFIER

BLONDER-TONGUE LABORATORIES, INC.

9 Alling St., Newark 2, N. J., Market 2-8151

BLONDER-TONGUE LABORATORIES 'MASTERLINE' VHF BROADBAND AMPLIFIER



Over a half-million Blonder-Tongue master antenna system products are in use today. Shown below are some of the newest B-T Master systems users:

- HARTSELLE HOSPITAL — HARTSELLE, ALA.
- BLOCK CHANDLER HOSPITAL — HARTSELLE, ALA.
- ALBERT PICK MOTEL — HUNTSVILLE, ALA.
- HIGHWAY HOUSE — TUCSON, ARIZONA
- VAGABOND MOTEL — CHULA VISTA, CAL.
- CAVALIER MOTEL — SAN FRANCISCO, CAL.
- COCOA BEACH APARTMENTS — COCOA BEACH, FLA.
- NEW TERRACE CLUB — SARASOTA, FLA.
- DOLPHIN MOTEL — ST. PETERSBURG, FLA.
- JOHNSON MOTEL — TAMPA, FLA.
- HOTEL WARE — WAYCROSS, GEORGIA
- CONGRESS HOTEL — CHICAGO, ILL.
- BETHESDA HOSPITAL — CHICAGO, ILL.
- CULVER INN — CULVER, IND.
- HOFFMAN HOTEL — SOUTH BEND, IND.
- ST. ANTHONY HOSPITAL — CARROL, IOWA
- MERCY HOSPITAL — CEDAR RAPIDS, IOWA
- WESLEY HOSPITAL — WICHITA, KAN.
- JONES MOTEL — WATERVILLE, ME.
- STATE LINE MOTEL — DELMAR, MD.

- HOLIDAY INN — GREENWOOD, MISS.
- HOLIDAY INN — JACKSON, MISS.
- PLANTATION BELL MOTOR LODGE — STARKVILLE, MISS.
- LINCOLN COUNTY MEMORIAL HOSPITAL — TROY, MO.
- HOWARD JOHNSON MOT. LODGE — SPRINGFIELD, N. J.
- CLARKSVILLE CABINS — TRENTON, N. J.
- MOHAWK MANOR MOT. HOTEL — ROCHESTER, N. Y.
- HOLIDAY INN — FAYETTEVILLE, N. C.
- NEW YORKER MOTEL — ROCKY MOUNT, N. C.
- COLONIAL MOTEL — WELDON, N. C.
- FOUNTAIN SQUARE HOTEL — CINCINNATI, O.
- ROBERTS HOTEL — OKLAHOMA CITY, OKLA.
- WASHINGTON MOTEL — WASHINGTON, PA.
- REDDINGTON HOTEL — WILKES BARRE, PA.
- HENRY COUNTY GENERAL HOSPITAL — PARIS, TENN.
- HOLIDAY INN — DALLAS, TEX.
- TED HINTON MOTEL — DALLAS, TEX.
- HOLIDAY MOTEL — ANACORTES, WASH.
- HOLIDAY INN — MADISON, WISC.
- MADISON TRAVELDODGE — MADISON, WISC.